

FEATURES

- Solid front with full blow back
- All stainless steel system
- External zero adjustment
- Dry / liquid filled
- CE marking

APPLICATION

- Oil & Gas applications
- High pressure applications
- Corrosive & Hazardous environments

REFERENCE

EN 837-1, PED 97/23/EC

External Zero Adjustment



STANDARD PARAMETERS

Accuracy	: CL 1.0
Ambient temperature	: -40... +65°C (without dampening liquid)
	: -20... +65°C (with dampening liquid)
Service temperature	: 300°C max.
Pressure limits	: Steady pressure up to FS value
	: Fluctuating pressure up to 90% of FS value
	: Short time 1.3 x FS value for range up to 100 bar
	: Short time 1.15 x FS value for range above 100 bar
Weld joints	: TIG argon arc welding

MATERIAL OF CONSTRUCTION

Sensing element	: Bourdon Tube (<100 bar : C - type , >100 bar : Helical)
Case & Ring material	: AISI 304 SS (Bayonet type)
Bourdon tube & Shank	: AISI 316L SS (Shank welded directly to case)
Movement mechanism	: AISI 304 SS
Dial	: Aluminum, black graduation on white background
Pointer	: Micro-zero adjustable, aluminum, black powder coated
Gaskets & filling plug	: Neoprene
Window	: Shatterproof safety glass
Blow off disc	: AISI 304 SS
Diaphragm	: NBR

STANDARD SPECIFICATIONS

Dial size	: DN100 / DN150
Range	: -1...0...1,600 bar
Mounting pattern	: Direct, Bottom connection
Process connection	: ½" NPT (M)
Ingress protection	: IP 65
Execution	: Dry but fillable, glycerin
Zero adjustment	: External screw with locking mechanism

STANDARD SPECIFICATIONS : DAMPENING LIQUID FILLED, GLYCERIN

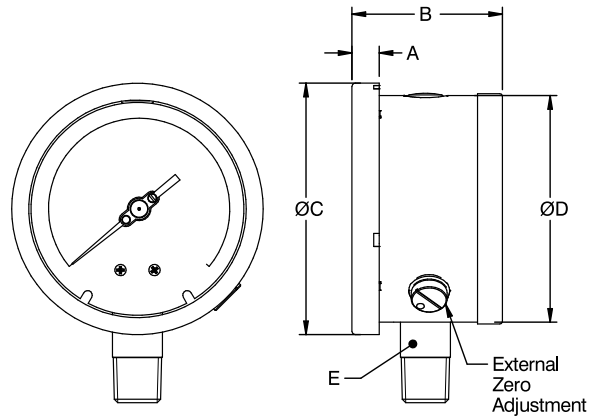
Window	: Shatterproof safety glass
Dampening liquid	: Glycerin 99.7% [Service temperature up to 65°C]

TEMPERATURE EFFECT

When temperature of the measuring system deviates from reference temperature (+20°C) max error $\pm 0.4\%$ / 10K of true scale value.

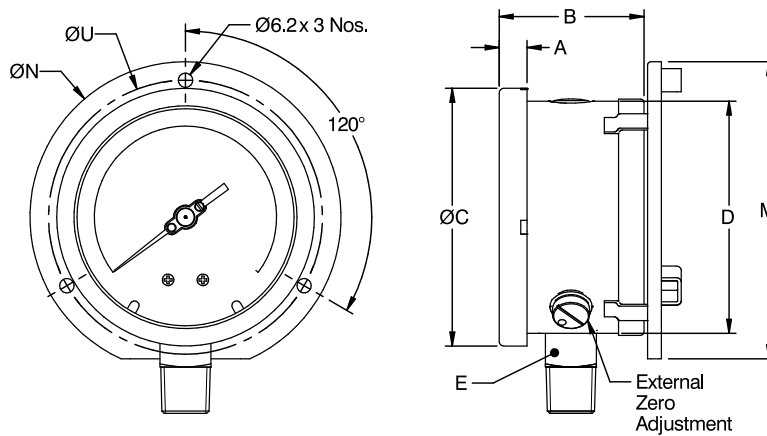
DIMENSIONAL DRAWING

Type B0



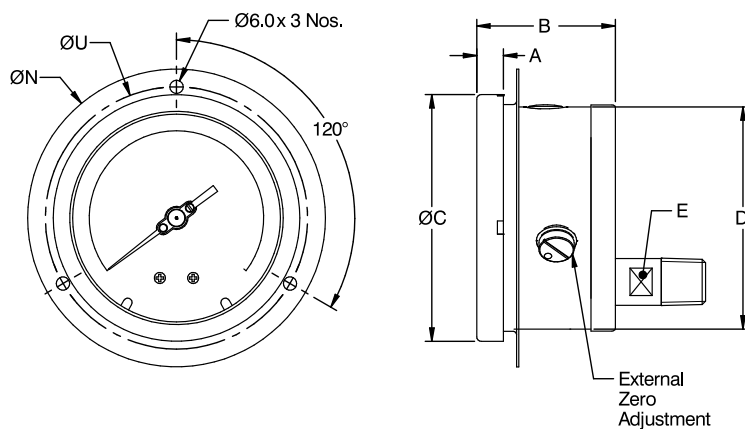
DN	A	B	ØC	ØD	E	Weight (grams)
100	12	66.5	111	100	SQ.22	874
150	17	68.5	161	149	SQ.22	1682

Type B1



DN	A	B	ØC	ØD	E	M	ØN	ØU	Weight (grams)
100	12	66.5	111	100	SQ.22	128	134	118	9553
150	17	68.5	161	149	SQ.22	172	186	168	1790

Type L1



DN	A	B	ØC	ØD	E	ØN	ØU	Weight (grams)
100	12	66.5	111	100	A/F-17	134	118	950
150	17	68.5	161	149	A/F-17	186	168	1798

ORDERING CODES

1. DIAL SIZE	04	7. OTHER OPTIONS	XX	
04 100 mm / 4"	04	BA Case & Ring in AISI 316 SS (B0)	XX	
06 150 mm / 6"		BB Case & Ring in AISI 316 SS (B1)		
2. RANGE	XXX	BL Case & Ring in AISI 316 SS (L1)	XX	
XXX Refer "Range Table"		BC Case & Ring in AISI 316 SS (B2)		
3. MOUNTING PATTERN	B0	EM Dampening screw, Monel	XX	
B0 Direct, Bottom connection		EN Dampening screw, AISI 316 SS		
B1 Wall/Surface/Projection mounting, Bottom connection	14N	EX Internal overload stop	XX	
B2 2" Pipe/Yoke mounting, Bottom connection		EY Internal vacuum stop		
L1 Panel/Front flange mounting, Lower Back connection ⁵		EZ Pointer stop on dial		
		GL AISI 316 SS movement		
4. PROCESS CONNECTION	14N	GM Dampened movement	XX	
12B 1/4" BSP (M)		GW Maximum Reading pointer ³		
12N 1/4" NPT (M)		GX Knife edge pointer		
13B 3/8" BSP (M)		MN Monel wetted parts		
14B 1/2" BSP (M)		OP Overrange protection 1.5xFS		
14M M20 X 1.5 mm (M)		OS Short Overpressure 4xFS		
14N 1/2" NPT (M)	P8 Epoxy coating (Case & Ring)	XX		
5. INGRESS PROTECTION	ER		R9 Receiver gauge ⁴	
ER IP 65			RA Rubber parts, Viton	
ES IP 66			RN Rubber parts, NBR	
ET IP 67	RW Vent plug, ON-OFF type		XX	
6. EXECUTION	EB			TA 5 - point calibration certificate
EA Dry				TC Material test certificate 3.1
EB Dry but fillable, glycerine				TE CE certificate
EC Dry but fillable, silicon oil ²				TI IBR certification
EG Dampening liquid filled, glycerine				TL Helium leak testing
EH Dampening liquid filled, silicon oil ²				TM Material test certificate 2.2
				TN Tested to NACE standards
		TO Certification for Oxygen service		
		TP Performance test		
		TT C.C. with NABL traceability		
		XA Accuracy CL 0.5 / CL 0.6 of FS		
		XF SS tag plate, AISI 304 SS		
		XG SS tag plate, AISI 316 SS		
		XR Custom designed dial		
		XT Dial tag marking		

Ordering Example : P202-04-XXX-B0-14N-ER-EB

NOTES

1. For other connections, please contact factory.
2. Rubber parts shall be in Viton.
3. Available in dry version only with accuracy CL 1.0 or above.
4. Please specify the second scale required.
5. Available in dry version only.
6. C.C = Calibration Certificate