

CARACTERÍSTICAS

Caja en Aisi 304

Esfera antiparalelaje

APLICACIÓN

- Calibración en laboratorios
- Calibración en industria
- Aplicaciones petroleo y gas
- Químicas y Petroquímicas
- Industrias alimentarias

- Centrales Nucleares

NORMAS DE REFERENCIA

EN 837-1 / PED 97/23/C


CARACTERÍSTICAS ESTÁNDAR

| | |
|-----------------------------|-------------------------|
| Precisión | KI 0,5€ KI 0,6% KI 0,25 |
| Temperatura ambiente | 20...65°C |

| | |
|-------------------------------|-------------------------------------|
| Temperatura de proceso | 65°C máximo |
| Límite de presión | hasta el 75% del valor de la escala |

| | |
|------------------|--------|
| Soldadura | al TIG |
|------------------|--------|

MATERIAL DE CONSTRUCCIÓN

| | |
|-------------------------|---|
| Caja y Aro | Aisi 304 |
| Mecanismo | Acero inox Aisi 304 |
| Muelle tubular | Aisi 316L para precisiones KL0,5 y KI0,6% Cobre al berilio para precisión KI0,25 |
| Esfera | Aluminio pintada verde con espejo antiparalelaje |
| Aguja Indicadora | Aluminio con regulación de cero |
| Visor | Cristal doble de seguridad |

ESPECIFICACION ESTANDAR

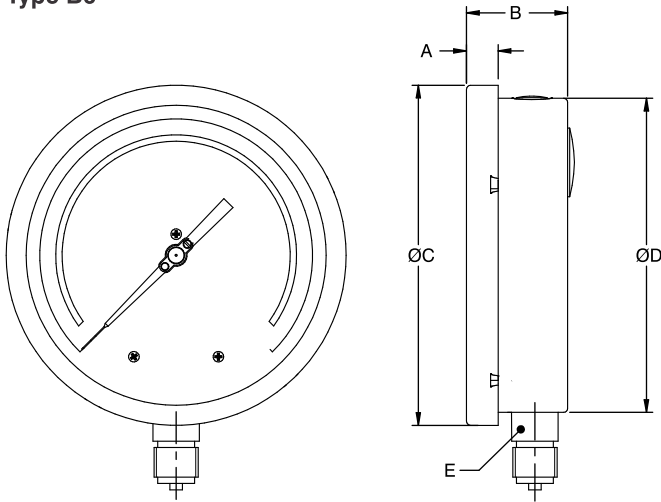
| | |
|----------------------------|-------------------------|
| Diametro de Esfera | DN 150 / DN 250 |
| Escalas | -1...600 bar |
| Montaje | Salida radial |
| Conexión a proceso | 1/2" GAS M / 1/2" NPT M |
| Grado de proteccion | IP65 |
| Ejecucion | seco |

EFEECTO DE TEMPERATURA

En caso de desviaciones de la temperatura en el elemento sensible (+20°C) max, error $\pm 0,4\%/10$ k del valor del fondo de escala

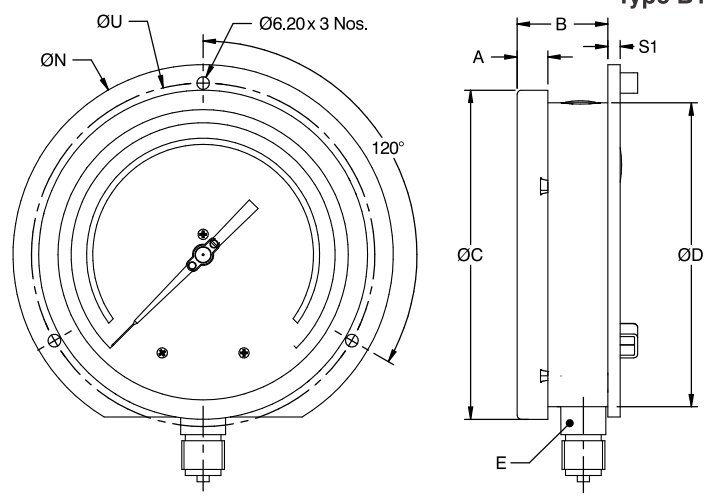
DIMENSIONAL DRAWING

Type B0



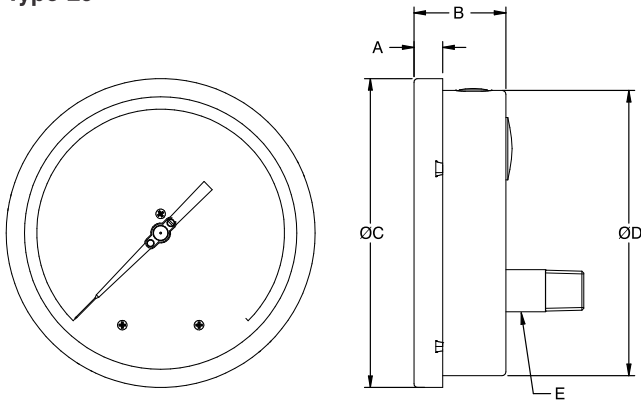
| DN | A | B | ØC | ØD | E | Weight (grams) |
|-----|------|----|-----|-----|-------|----------------|
| 150 | 15 | 48 | 161 | 149 | SQ.22 | 950 |
| 250 | 18.5 | 50 | 263 | 250 | SQ.22 | 2150 |

Type B1



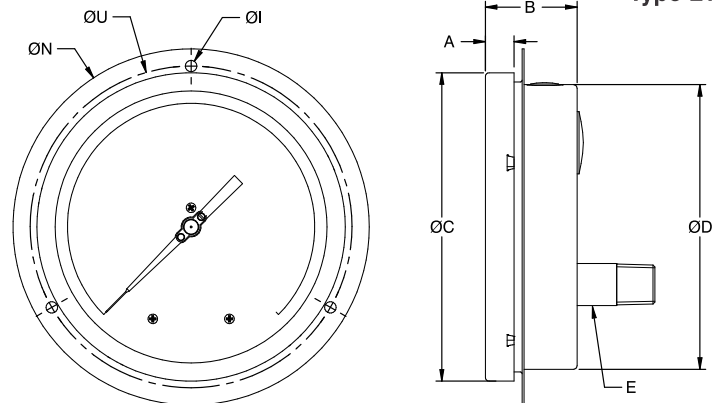
| DN | A | B | ØC | ØD | E | ØI | M | ØN | S1 | ØU | Weight (grams) |
|-----|------|----|-----|-----|-------|----|-------|-----|-----|-----|----------------|
| 150 | 15 | 46 | 161 | 149 | SQ.22 | 6 | 172.4 | 186 | 6 | 168 | 1065 |
| 250 | 18.5 | 48 | 263 | 250 | SQ.22 | 7 | 286.5 | 290 | 1.5 | 276 | 2375 |

Type L0



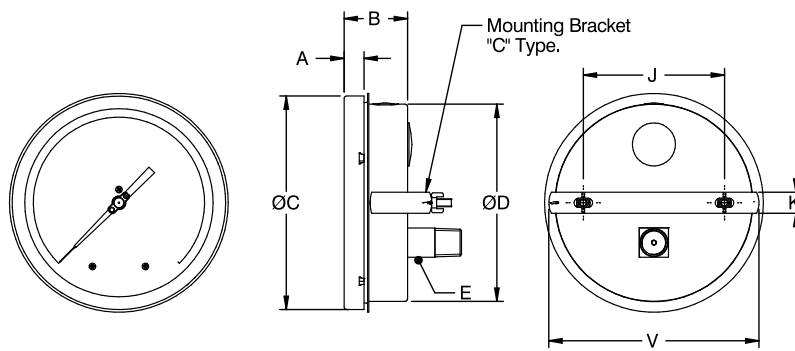
| DN | A | B | ØC | ØD | E | Weight (grams) |
|-----|------|----|-----|-----|-------|----------------|
| 150 | 15 | 48 | 161 | 149 | SQ.22 | 950 |
| 250 | 18.5 | 50 | 263 | 250 | SQ.22 | 2150 |

Type L1



| DN | A | B | ØC | ØD | E | ØI | ØN | ØU | Weight (grams) |
|-----|------|----|-----|-----|-------|----|-----|-----|----------------|
| 150 | 15 | 48 | 161 | 149 | SQ.22 | 6 | 186 | 168 | 1066 |
| 250 | 18.5 | 50 | 263 | 250 | SQ.22 | 7 | 290 | 276 | 2350 |

Type L2



| DN | A | B | ØC | ØD | E | J | K | V | Weight (grams) |
|-----|------|----|-----|-----|-------|-------|----|-------|----------------|
| 150 | 15 | 48 | 161 | 149 | SQ.22 | 106.5 | 16 | 158.5 | 1150 |
| 250 | 18.5 | 50 | 263 | 250 | SQ.22 | 180 | 30 | 270 | 2450 |

All dimensions are in mm.

ORDERING CODES

1. DIAL SIZE

| | |
|-----------|--------------|
| 06 | 150 mm / 6" |
| 10 | 250 mm / 10" |

06

2. RANGE

| | |
|------------|---------------------|
| XXX | Refer "Range Table" |
|------------|---------------------|

XXX

3. MOUNTING PATTERN

| | |
|-----------|---|
| B0 | Direct, Bottom connection |
| B1 | Wall/Surface/Projection mounting, Bottom connection |
| L0 | Lower, Back connection |
| L1 | Panel/Front flange mounting, Lower Back connection |
| L2 | Panel/bracket mounting, Lower Back connection |

B0

4. PROCESS CONNECTION

| | |
|------------|------------------|
| 14N | 1/2" NPT (M) |
| 14B | 1/2" BSP (M) |
| 14M | M20 X 1.5 mm (M) |

14N

5. INGRESS PROTECTION

| | |
|-----------|-------|
| ER | IP 65 |
|-----------|-------|

ER

6. EXECUTION

| | |
|-----------|-----|
| EA | Dry |
|-----------|-----|

EA

7. OTHER OPTIONS

| | |
|-----------|---------------------------|
| XR | Custom designed dial |
| XT | Dial tag marking |
| XF | SS tag plate, AISI 304 SS |

XX

8. ACCESSORIES

| | |
|-------------|---------------|
| A202 | Gauge saver |
| A201 | Gauge snubber |

Ordering Example : P801-06-XXX-B0-14N-ER-EB

NOTES

1. For other connections, please contact factory.