

FEATURES

- All SS construction
- Adjustable needle design

APPLICATION

- Reduces dampening effect of process media

Adjustable Needle Type

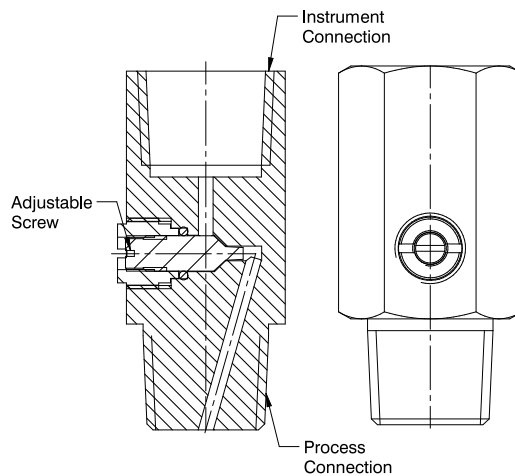


STANDARD SPECIFICATIONS

Type	:	Pattern 1 (Adjustable needle)
Material	:	AISI 316 SS
Instrument connection	:	1/2" NPT (F)
Process connection	:	1/2" NPT (M)
Gaskets / Seals	:	Viton
Maximum working pressure	:	400 bar
Maximum working temperature	:	180°C

DIMENSIONAL DRAWING

Pattern 1



ORDERING CODES

1. TYPE

1 Pattern 1 (Adjustable needle)

1

2. MATERIAL

MA Brass
MC AISI 304 SS
MF AISI 316 SS
MG AISI 316L SS
MM Monel
MO Hastelloy C-276

MF

3. INSTRUMENT CONNECTION

02B 1/4" BSP (F)
03B 3/8" BSP (F)
04B 1/2" BSP (F)
02N 1/4" NPT (F)
03N 3/8" NPT (F)
04N 1/2" NPT (F)
04M M20x1.5 mm (F)

04N

4. PROCESS CONNECTION

12B 1/4" BSP (M)
13B 3/8" BSP (M)
14B 1/2" BSP (M)
12N 1/4" NPT (M)
13N 3/8" NPT (M)
14N 1/2" NPT (M)
14M M20x1.5 mm (M)

14N

5. OTHER OPTIONS

TC Material test certificate 3.1
TM Material test certificate 2.2
TN Tested to NACE standards
TO Certification for Oxygen service
XM Marking by engraving
XL Marking by laser

XM

Ordering Example : A201-1-MF-04N-14N-XM

NOTES:

1. Other process connections are available through adaptors.
2. Option TC, TM, TN are not applicable for Material selection of MA.
3. The pressure rating for Material selection MA is 250 bar.