

FEATURES

- Adjustable ranges
- Bellow & Piston operated
- Over-pressure up to 600 bar

APPLICATION

- Over-pressure protection for gauges, switches & transmitters

Bellow / Piston Type

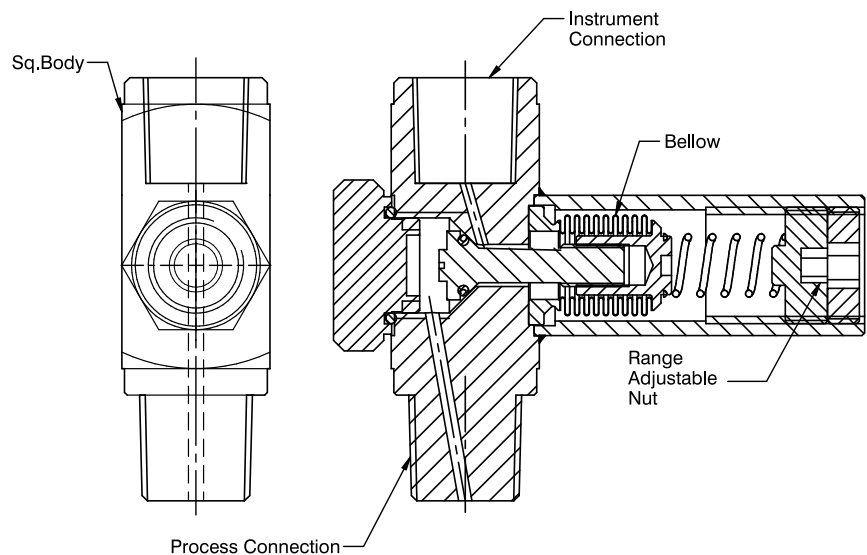


STANDARD SPECIFICATIONS

Type	: Pattern 3 (6... 16 bar)
Material	: AISI 316 SS
Instrument connection	: 1/2" NPT (F)
Process connection	: 1/2" NPT (M)
Gaskets / Seals	: Viton
Maximum working pressure	: 600 bar
Operating temperature	: 180°C

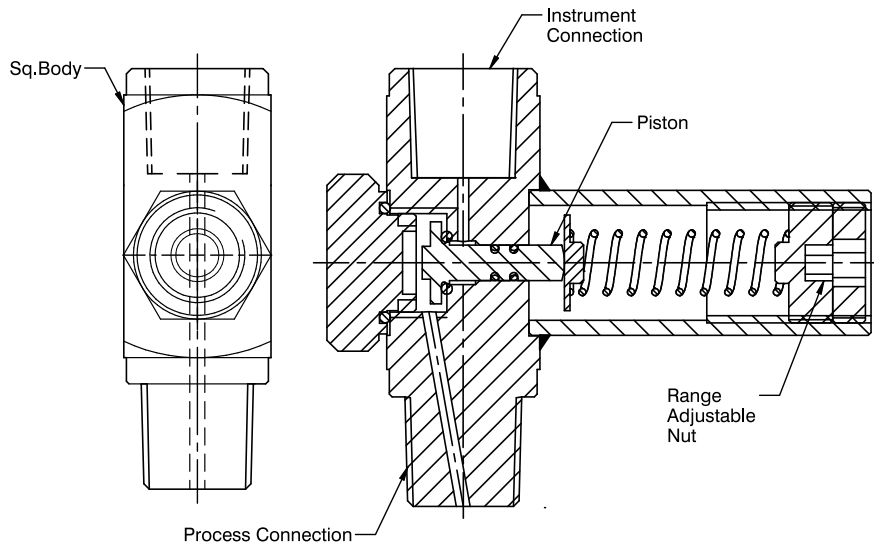
DIMENSIONAL DRAWING

Pattern 1, 2



DIMENSIONAL DRAWING

Pattern 3, 4, 5, 6, 7



ORDERING CODES

1. TYPE

- 1 Pattern 1 (200 mbar...1.6 bar)
- 2 Pattern 2 (2.5...4 bar)²
- 3 Pattern 3 (6...16 bar)
- 4 Pattern 4 (10...40 bar)
- 5 Pattern 5 (30...80 bar)
- 6 Pattern 6 (60...160 bar)
- 7 Pattern 7 (100...400 bar)

3

2. MATERIAL

- MF AISI 316 SS
- MG AISI 316L SS
- MM Monel 400⁵
- MO Hastelloy C-276⁵

MF

3. INSTRUMENT CONNECTION

- 02B 1/4" BSP (F)
- 03B 3/8" BSP (F)
- 04B 1/2" BSP (F)
- 02N 1/4" NPT (F)
- 03N 3/8" NPT (F)
- 04N 1/2" NPT (F)
- 04M M20x1.5 mm (F)

04N

4. PROCESS CONNECTION

- 12B 1/4" BSP (M)
- 13B 3/8" BSP (M)
- 14B 1/2" BSP (M)
- 12N 1/4" NPT (M)
- 13N 3/8" NPT (M)
- 14N 1/2" NPT (M)
- 14M M20x1.5 mm (M)

14N

5. OTHER OPTIONS

- TC Material test certificate 3.1
- TM Material test certificate 2.2
- TN Tested to NACE standards
- TO Certification for Oxygen service
- XM Marking by engraving
- XL Marking by laser

XM

Ordering Example : A202-3-MF-04N-14N-XM

NOTES:

1. Other process connections are available through adaptors.
2. Available in piston type too.
3. As standard set point should be mentioned while ordering or the factory set point shall be 110% of order range.
4. Set point error shall be $\pm 10\%$ of set point value in general.
5. Applicable for wetted parts only. Non-wetted parts shall be AISI 316 SS.