

FEATURES

- Economical and light weight
- All welded construction
- Laser welded diaphragm

APPLICATION

- Separation systems
- Isolation applications
- Viscous & corrosive media
- High-pressure applications
- High vibration application

Heavy Duty Mini Seal

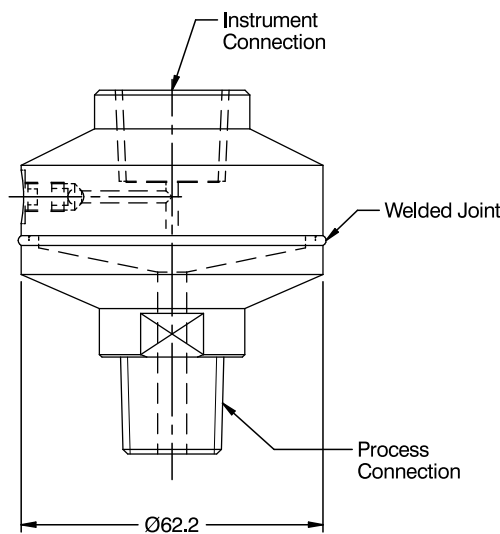


STANDARD SPECIFICATIONS

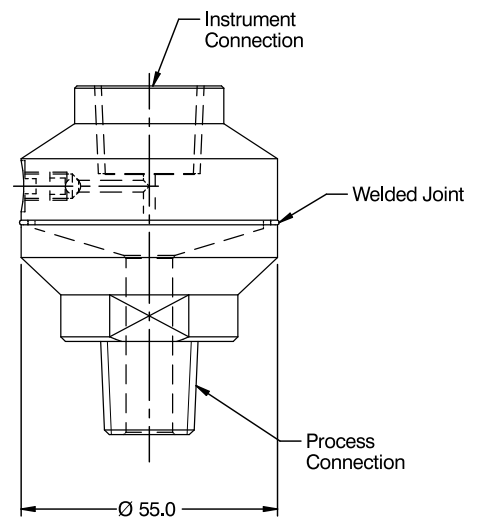
Range type	: -1...0 bar & 0...2.5 bar / 4...70 bar / 100...250 bar / 280...600 bar
Chamber material	: AISI 316 SS
Diaphragm	: AISI 316L SS
Instrument connection	: 1/2" NPT (F)
Sealing fluid	: Silicon DC 200 (-40...205°C)
Process connection	: 1/2"NPT (M)
Assembly	: Direct
Capillary	: Optional
Armour	: Optional
Remote mounting length	: Optional

DIMENSIONAL DRAWING

Type S11

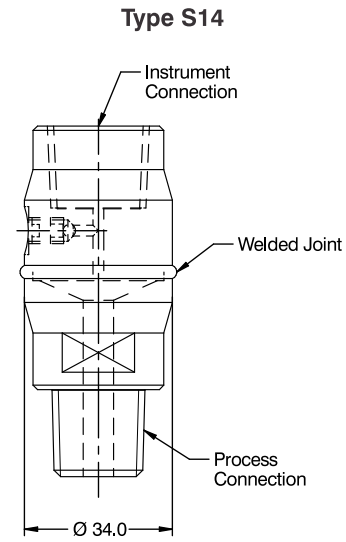
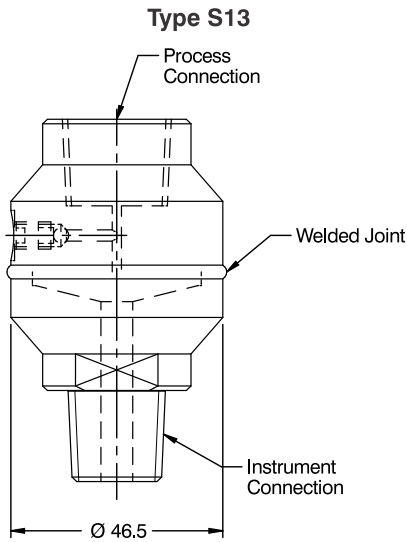


Type S12



All dimensions are in mm.

DIMENSIONAL DRAWING



All dimensions are in mm.

ORDERING CODES

1. RANGE TYPE

S11	-1...0 bar & 0...2.5 bar
S12	4...70 bar
S13	100...250 bar
S14	280...600 bar

S11

2. CHAMBER MATERIAL

LF	AISI 316 SS	LG	AISI 316L SS
NM	Monel 400	NO	Hastelloy C-276

LC

3. DIAPHRAGM MATERIAL

DG	AISI 316L SS	DO	Hastelloy C-276
DV	Titanium	D8	Silver coated
DM	Monel 400	DQ	Inconel 600
DW	Tantalum		

DG

4. INSTRUMENT CONNECTION

03B	3/8" BSP (F)	04N	1/2" NPT (F)
02B	1/4" BSP (F)	04B	1/2" BSP (F)
02N	1/4" NPT (F)		

04N

5. SEALING FLUID

OA	Silicon DC 200 [-40°C to 205°C]
OF	Food grade oil [-20°C to 140°C]
OG	Glycerine [10°C to 150°C]
OI	Syltherm 800 [-40°C to 315°C]
OL	Silicon DC 710 [7°C to 371°C]

OA

6. PROCESS CONNECTION

12B	1/4" BSP (M)	13B	3/8" BSP (M)
14B	1/2" BSP (M)	12N	1/4" NPT (M)
14N	1/2" NPT (M)	14M	M20 x 1.5 (M)
02N	1/4" NPT (F)	04N	1/2" NPT (F)
02B	1/4" BSP (F)	04B	1/2" BSP (F)
03B	3/8" BSP (F)		

14N

7. ASSEMBLY

B8	Direct
B9	Remote (capillary)

B8

8. CAPILLARY

OU	AISI 304 SS	OV	AISI 316 SS
-----------	-------------	-----------	-------------

XX

9. ARMOUR

OX	AISI 304 SS	OY	AISI 316 SS
OZ	PVC (Ambient max. 60°C)		

XX

10. REMOTE MOUNTING LENGTH

XXXX	1000 mm up to 4000 mm
-------------	-----------------------

XXXX

11. OTHER OPTIONS

XZ	Dry seal
HL	Helium leak test
TM	Material test certificate 2.2
TC	Material test certificate 3.1
E8	Weld constructed bottom chamber (Eco version)

XX

Ordering Example : D103-S11-LC-DG-04N-OA-14N-B8

NOTES:

- Other sealing liquids are available, contact factory for further details.
- Remote mounting applicable in range type S11, S12 & S13.
- All metal diaphragms are laser welded to the Top Chamber.