

## FEATURES

- One piece construction
- Laser welded diaphragm
- Flushed diaphragm
- Ideal for Transmitters

## APPLICATION

- Separation systems
- Isolation applications
- Viscous & corrosive media
- High-pressure applications

### Flush



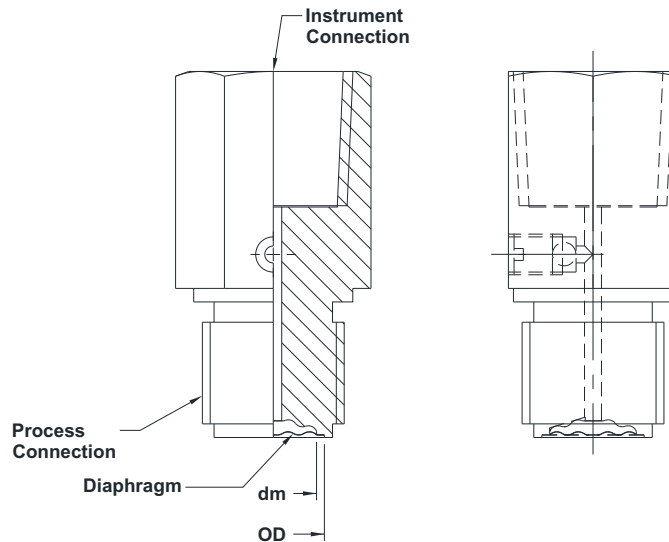
### STANDARD SPECIFICATIONS

Range type	: 4...600 bar*
Body material	: AISI 316 SS
Diaphragm	: AISI 316L SS
Instrument connection	: 1/2" NPT (F) / 1/2" BSP (F)
Sealing fluid	: Silicon DC 200 (-40...205°C)
Process connection	: 1/2" NPT (M) / 1/2" BSP (M)*
Assembly	: Direct

\*Refer range vs Process connection table

### DIMENSIONAL DRAWING

#### Type S16



All dimensions are in mm.

## ORDERING CODES

### 1. RANGE TYPE

**S16** 4...600 bar

**S16**

### 2. BODY MATERIAL

**LF** AISI 316 SS  
**LG** AISI 316L SS

**LF**

### 3. DIAPHRAGM MATERIAL

**DG** AISI 316L SS

**DG**

### 4. INSTRUMENT CONNECTION

**03B** 3/8" BSP (F)      **04B** 1/2" BSP (F)  
**02B** 1/4" BSP (F)      **04N** 1/2" NPT (F)  
**02N** 1/4" NPT (F)

**04N**

### 5. SEALING FLUID

**OA** Silicon DC 200 [-40°C to 205°C]  
**OF** Food grade oil [-20°C to 140°C]  
**OG** Glycerine [10°C to 150°C]  
**OI** Syltherm 800 [-40°C to 315°C]  
**OL** Silicon DC 710 [7°C to 371°C]

**OA**

### 6. PROCESS CONNECTION

**14N** 1/2" NPT (M)      **15N** 3/4" NPT (M)  
**16N** 1" NPT (M)      **17N** 1.5" NPT (M)  
**18N** 2" NPT (M)      **14B** 1/2" BSP (M)  
**15B** 3/4" BSP (M)      **16B** 1" BSP (M)  
**17B** 1.5" BSP (M)      **18B** 2" BSP (M)

**14N**

### 7. ASSEMBLY

**B8** Direct  
**B9** Remote (capillary)

**B8**

### 8. CAPILLARY

**OU** AISI 304SS  
**OV** AISI 316 SS

**XX**

### 9. ARMOUR

**OX** AISI 304SS  
**OY** AISI 316 SS  
**OZ** PVC (Ambient max. 60°C)

**XX**

### 10. REMOTE MOUNTING LENGTH

**XXXX** 1000 mm up to 4000 mm

**XXXX**

### 11. OTHER OPTIONS

**XZ** Dry seal  
**HL** Helium leak test  
**TM** Material test certificate 2.2  
**TC** Material test certificate 3.1

**XX**

**Ordering Example : D104-S16-LF-DG-04N-OA-14N-B8**

## CONNECTION SIZE Vs RANGE CHART

Thread Size	1/2"	3/4"	1"	1 1/2"	2"
"Diaphragm Size (OD/ED) in "mm"	15/12	20/16	27/23	40/32	48/40
Range (bar)	0...70 to 0...700	0...40 to 0...700	0...25 to 0...700	0...4 to 0...600	0...4 to 0...400

### NOTES:

- Other sealing liquids are available, contact factory for further details.
- Remote mounting available in connection 1" and above.
- All metal diaphragms are laser welded to the Top Chamber.