

## FEATURES

- Large volume type design
- Flushed diaphragm
- Laser welded diaphragm
- Optional flushing ring
- Optional exotic materials

## APPLICATION

- Separation systems
- Isolation applications
- Viscous & corrosive media
- High-pressure applications
- High vibration application

### Flushed Diaphragm Type

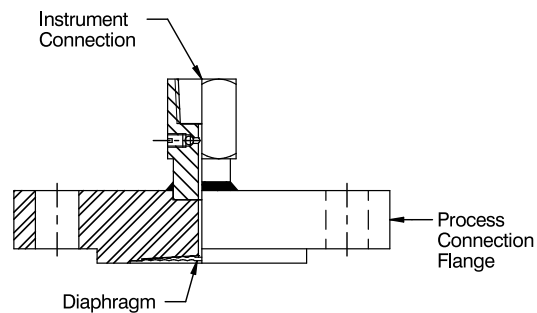


### STANDARD SPECIFICATIONS

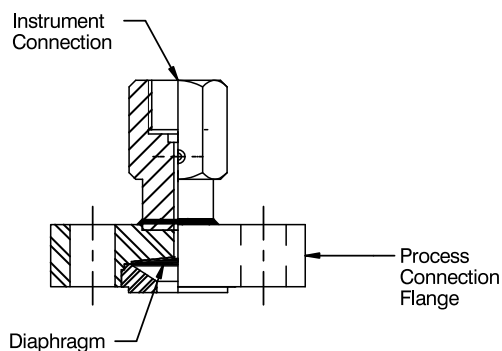
Range type	: -1...0 bar to 0...250 bar
Chamber / Flange material	: AISI 316 SS
Diaphragm	: AISI 316L SS
Instrument connection	: 1/2" NPT (F)
Sealing fluid	: Silicon DC 200 (-40...205°C)
Process connection	: 1 1/2" 150# as per ANSI B16.5
Flange facing type	: Raised face
Protection on wetted parts	: Optional
Assembly	: Direct
Capillary	: Optional
Armour	: Optional
Remote mounting length	: Optional

### DIMENSIONAL DRAWING

Type S45



Type S46



All dimensions are in mm.

## ORDERING CODES

### 1. RANGE TYPE

- S45** -1...250 bar (Flange 1.5" & above)
- S46** 4...250bar (Flange ½" to 1")

S46

### 2. CHAMBER / FLANGE MATERIAL

- |                       |                           |
|-----------------------|---------------------------|
| <b>LB</b> ASTM A105   | <b>LC</b> AISI 304 SS     |
| <b>LF</b> AISI 316 SS | <b>LG</b> AISI 316L SS    |
| <b>LM</b> Monel 400   | <b>LO</b> Hastelloy C-276 |
| <b>LV</b> Titanium    | <b>LW</b> Tantalum        |

LC

### 3. DIAPHRAGM MATERIAL

- |                           |                     |
|---------------------------|---------------------|
| <b>DG</b> AISI 316L SS    | <b>DM</b> Monel 400 |
| <b>DO</b> Hastelloy C-276 | <b>DV</b> Titanium  |
| <b>DW</b> Tantalum        |                     |

DG

### 4. INSTRUMENT CONNECTION

- |                         |                       |
|-------------------------|-----------------------|
| <b>03B</b> 3/8" BSP (F) | <b>04N</b> ½" NPT (F) |
| <b>02B</b> ¼" BSP (F)   | <b>04B</b> ½" BSP (F) |
| <b>02N</b> ¼" NPT (F)   |                       |

04N

### 5. SEALING FLUID

- OA** Silicon DC 200 [-40°C to 205°C]
- OF** Food grade oil [-20°C to 140°C]
- OG** Glycerine [10°C to 150°C]
- OI** Syltherm 800 [-40°C to 315°C]
- OL** Silicon DC 710 [7°C to 371°C]

OA

### 6. PROCESS CONNECTION

- XXX** Refer Flange Table for the codes

A25

### 7. FLANGE FACING

- F** Flat Face
- J** Ring-Type Joint
- R** Raised Face
- T** Tongue and Groove (T&G)

R

### 8. PROTECTION ON WETTED PARTS

- PA** PTFE coating on flange
- PC** PTFE coating on diaphragm

XX

### 9. ASSEMBLY

- B8** Direct
- B9** Remote (capillary)

XX

### 10. CAPILLARY

- OU** AISI 304 SS
- OV** AISI 316 SS

XX

### 11. ARMOUR

- OX** AISI 304 SS
- OY** AISI 316 SS
- OZ** PVC (Ambient max. 60°C)

XX

### 12. REMOTE MOUNTING LENGTH

- XXXX** 1000 mm up to 6000 mm

XXXX

### 13. OTHER OPTIONS

- XZ** Dry seal
- HL** Helium leak test
- TM** Material test certificate 2.2
- TC** Material test certificate 3.1

XX

Ordering Example : **D202-S45-LC-DG-04N-OA-A25-R-XX-B8**

## APPLICABLE ACCESSORIES

- A301** Flushing Ring

## MOUNTING KITS

- Hardware** Bolt / Nut / Washer
- Flanges** Suitable mating type
- Gaskets** Metal / Graphoil / Asbestos

### NOTES:

1. Other sealing liquids are available, contact factory for further details.
2. All metal diaphragms are laser welded to the Top Chamber.