

FEATURES

- Quick connect/disconnect
- Laser welded flush diaphragm
- Tri-clamp connection

APPLICATION

- Food & beverages industries
- Dairy & Ice cream industries
- Pharmaceuticals & cosmetics

Tri-clamp Type

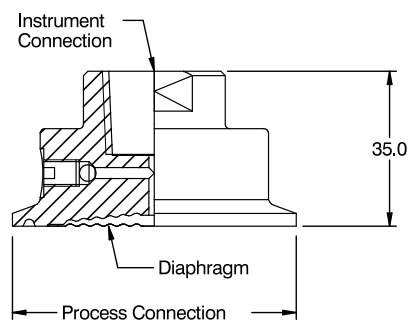


STANDARD SPECIFICATIONS

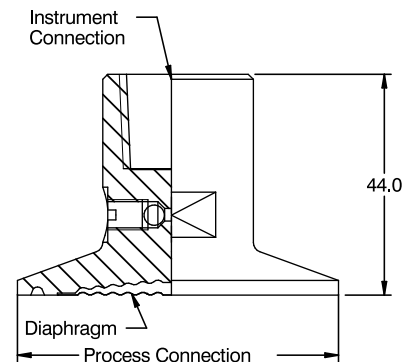
Range type	: -1...0 bar to 0...40 bar Tri-Clamp
Chamber material	: AISI 316 SS
Diaphragm	: AISI 316L SS
Instrument connection	: 1/2" NPT (F)
Sealing fluid	: Glycerine [10°C to 150°C]
Process connection	: 1.5" Connection
Assembly	: Direct

DIMENSIONAL DRAWING

Type S31



Type S32



All dimensions are in mm.

ORDERING CODES

1. RANGE TYPE

S31 -1...0 bar to 0...40 bar Tri-Clamp
S32 -1...0 bar to 0...40 bar Tri-Clamp
 Refer range vs connection size table

S31

2. CHAMBER MATERIAL

LF AISI 316 SS
LG AISI 316L SS

LF

3. DIAPHRAGM MATERIAL

DG AISI 316L SS

DG

4. TRI-CLAMP CONNECTION

03B 3/8" BSP (F)¹
04N 1/2" NPT (F)¹
02B 1/4" BSP (F)
04B 1/2" BSP (F)¹
02N 1/4" NPT (F)

04N

5. SEALING FLUID

OF Food grade oil [-20°C to 140°C]
OG Glycerine [10°C to 150°C]

OG

6. TRI-CLAMP CONNECTION

T01 1" Connection
T15 1.5" Connection
T02 2" Connection
T25 2.5" Connection

T15

7. ASSEMBLY

B8 Direct

B8

8. OTHER OPTIONS

XZ Dry seal
HL Helium leak test
TM Material test certificate 2.2
TC Material test certificate 3.1
E7 4" Bourdon tube system

XX

Ordering Example : D301-S31-LF-DG-04N-OG-T15-B8

CONNECTION SIZE Vs RANGE CHART

Thread Size	1"	1 1/2"	2"	2 1/2"
"Diaphragm Size (OD/ED) in "mm"	35/25	38/32	48/40	62/52
Range (bar)	0...4 to 0...40	0...2 to 0...40	0...1 to 0...40	-1...0 to 0...40

APPLICABLE ACCESSORIES

A302 Tri-Clamp, Sealing Ring & Bottom part

NOTES:

1. Available with 63 mm Bourdon tube system
2. For Tri-clamps, Sealing rings & Bottom mating parts, please refer model A302.
3. All metal diaphragms are laser welded to the Top Chamber.