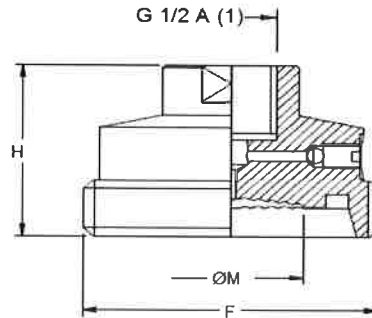
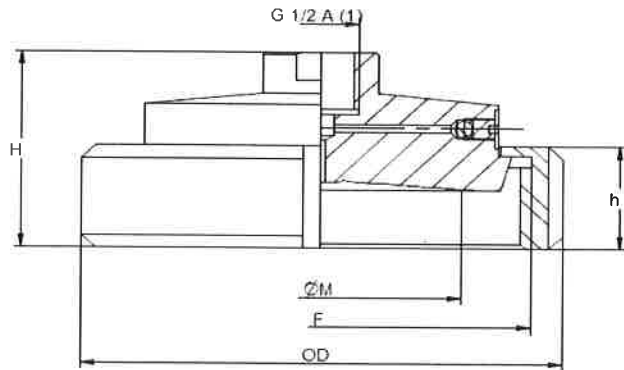


D-302

D-303

ANNEXURE - H



DIN 11851

DN	Cod.	H	h	D	M	F (DIN 405)
25	QHF	50	21	63	25	Rd 52 x 1/6
32	RHF	50	21	70	32	Rd 58 x 1/6
40	SHF	50	21	78	40	Rd 65 x 1/6
50	THF	51	22	92	52	Rd 78 x 1/6

DIN 11851

DN	Cod.	H	M	F (DIN 405)
25	QHM	43	22	Rd 52 x 1/6
32	RHM	42	25	Rd 58 x 1/6
40	SHM	42	32	Rd 65 x 1/6
50	THM	42	44	Rd 78 x 1/6

SMS

DN	Cod.	H	h	D	M	F (DIN 405)
1" 1/2	AIF	54	23	74	35	Rd 60 x 1/6
2"	BIF	55	24	84	50	Rd 70 x 1/6

SMS

DN	Cod.	H	M	F (DIN 405)
1" 1/2	AIM	42	29	Rd 60 x 1/6
2"	BIM	43	40	Rd 70 x 1/6

IDF/ISS

DN	Cod.	H	h	D	M	F (ACME)
2"	BMF	60	30	77	35	Tr65.3x1/8"