

FEATURES

- Quick connect/disconnect
- Laser welded flush diaphragm
- DIN, SMS, RJT & IDF / ISS connections

APPLICATION

- Food & beverages industries
- Dairy & Ice cream industries
- Pharmaceuticals & cosmetics

Plain Flush Type

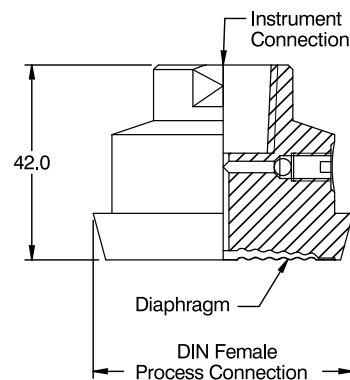


STANDARD SPECIFICATIONS

Range type	:	1.6...40 bar DIN 11851
Chamber material	:	AISI 316 SS
Diaphragm	:	AISI 316L SS
Instrument connection	:	1/2" NPT (F)
Sealing fluid	:	Glycerine [10°C to 150°C]
Process connection	:	1.5" Connection
Assembly	:	Direct
Capillary	:	Optional
Armour	:	Optional
Remote mounting length	:	Optional

DIMENSIONAL DRAWING

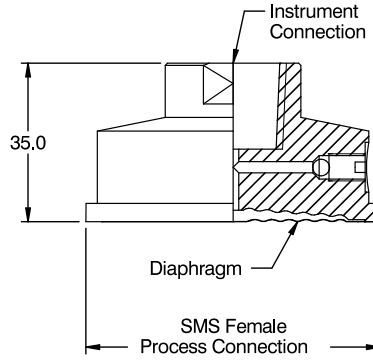
Type S40



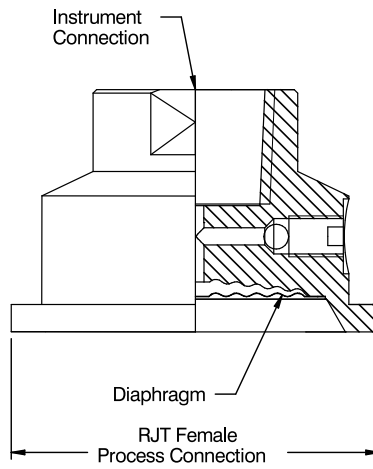
All dimensions are in mm.

DIMENSIONAL DRAWING

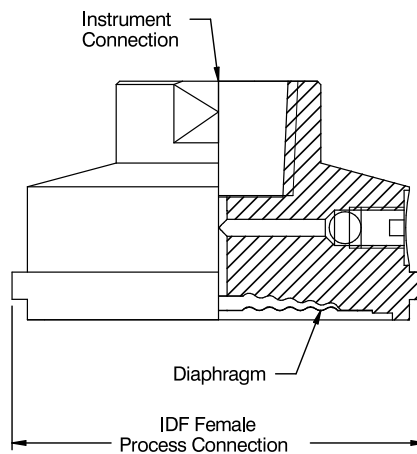
Type S41



Type S42



Type S43



ORDERING CODES

1. RANGE TYPE

S36 1.6...21 bar
S37 1.6...40 bar
 Refer range vs connection size table

S37

2. STANDARD TYPE

T40 DIN 11854
T41 SMS
T42 RTJ / APV
T43 IDF / ISS

T40

3. CHAMBER MATERIAL

LF AISI 316 SS
LG AISI 316L SS

LF

4. DIAPHRAGM MATERIAL

DG AISI 316L SS

DG

5. INSTRUMENT CONNECTION

03B 3/8" BSP (F)
04N 1/2" NPT (F)
02B 1/4" BSP (F)
04B 1/2" BSP (F)
02N 1/4" NPT (F)

04N

6. SEALING FLUID

OF Food grade oil [-20°C to 140°C]
OG Glycerine [10°C to 150°C]

OG

7. PROCESS CONNECTION

T01 1" Connection¹
T15 1.5" Connection
T02 2" Connection
T25 2.5" Connection

T15

8. ASSEMBLY

B8 Direct
B9 Remote (capillary)

B8

9. CAPILLARY

OU AISI 304 SS
OV AISI 316 SS

XX

10. ARMOUR

OX AISI 304 SS
OY AISI 316 SS
OZ PVC (Ambient max. 60°C)

XX

11. REMOTE MOUNTING LENGTH

XXXX 1000 mm up to 4000 mm

XXXX

12. OTHER OPTIONS

XZ Dry seal
HL Helium leak test
TM Material test certificate 2.2
TC Material test certificate 3.1

XX

Ordering Example : D302-S37-T40-LF-DG-04N-OG-T15-B8

CONNECTION SIZE Vs RANGE CHART

DIN	Size	25	32	40	50	80
	"Diaphragm Size (OD/ED) in "mm"	35/25	38/32	48/40	59/52	80/72
	Range (bar)	0...4 to 0...40	0...2 to 0...40	0...1 to 0...40	0...1 to 0...40	-1...0 to 0...40
SMS	Size	1"	1 1/2"	2"		
	"Diaphragm Size (OD/ED) in "mm"	30/23	45/36	58/51		
	Range (bar)	0...4 to 0...40	0...2 to 0...40	0...1 to 0...40		

APPLICABLE ACCESSORIES

A303 Sanitary connection ring/nut

NOTES:

1. All metal diaphragms are laser welded to the Top Chamber.