

## FEATURES

- Quick connect/disconnect
- Laser welded flush diaphragm
- DIN, SMS, RJT & IDF / ISS connections

## APPLICATION

- Food & beverages industries
- Dairy & Ice cream industries
- Pharmaceuticals & cosmetics

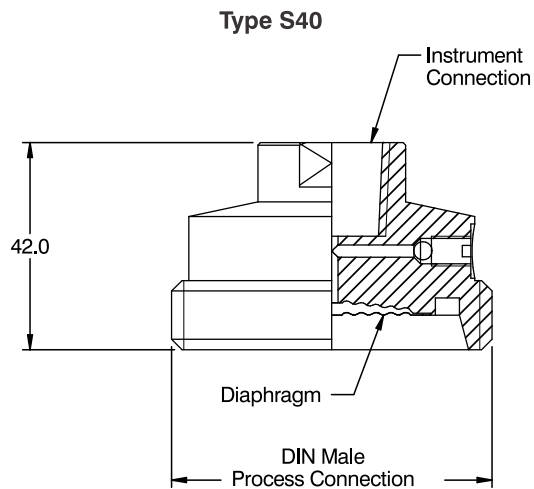
### Threaded Flush Type



### STANDARD SPECIFICATIONS

Range type	:	1.6...40 bar DIN 11851
Chamber material	:	AISI 316 SS
Diaphragm	:	AISI 316L SS
Instrument connection	:	1/2" NPT (F)
Sealing fluid	:	Glycerine [10°C to 150°C]
Process connection	:	1.5" Connection
Assembly	:	Direct
Capillary	:	Optional
Armour	:	Optional
Remote mounting length	:	Optional

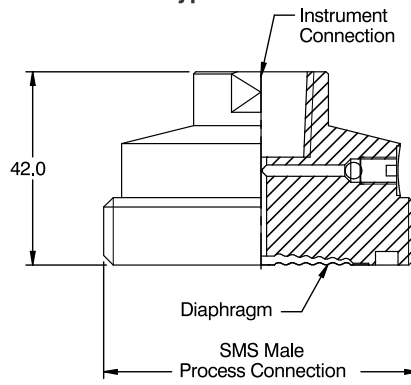
### DIMENSIONAL DRAWING



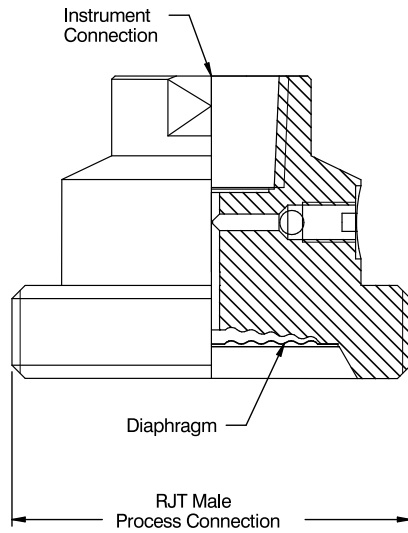
All dimensions are in mm.

DIMENSIONAL DRAWING

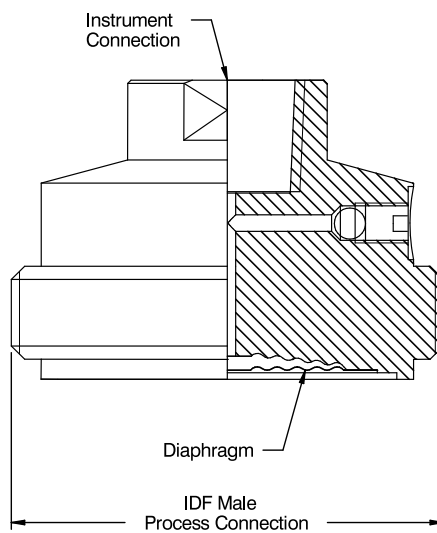
Type S41



Type S42



Type S43



## ORDERING CODES

<b>1. RANGE TYPE</b>		<b>S37</b>	<b>7. PROCESS CONNECTION</b>		<b>T15</b>	
<b>S36</b>	1.6...21 bar		<b>T01</b>	1" Connection <sup>1</sup>		
<b>S37</b>	1.6...40 bar		<b>T15</b>	1.5" Connection		
Refer range vs connection size table			<b>T02</b>	2" Connection		
			<b>T25</b>	2.5" Connection		
<b>2. STANDARD TYPE</b>		<b>T40</b>	<b>8. ASSEMBLY</b>		<b>B8</b>	
<b>T40</b>	DIN 11854		<b>B8</b>	Direct		
<b>T41</b>	SMS		<b>B9</b>	Remote (capillary)		
<b>T42</b>	RTJ / APV		<b>9. CAPILLARY</b>		<b>XX</b>	
<b>T43</b>	IDF / ISS		<b>OU</b>	AISI 304 SS		
<b>3. CHAMBER MATERIAL</b>		<b>LF</b>	<b>OV</b>	AISI 316 SS		
<b>LF</b>	AISI 316 SS		<b>10. ARMOUR</b>		<b>XX</b>	
<b>LG</b>	AISI 316L SS	<b>OX</b>	AISI 304 SS			
<b>4. DIAPHRAGM MATERIAL</b>		<b>DG</b>	<b>OY</b>	AISI 316 SS		
<b>DG</b>	AISI 316L SS		<b>OZ</b>	PVC (Ambient max. 60°C)		
<b>5. INSTRUMENT CONNECTION</b>		<b>04N</b>	<b>11. REMOTE MOUNTING LENGTH</b>		<b>XXXX</b>	
<b>03B</b>	3/8" BSP (F)		<b>XXXX</b>	1000 mm up to 4000 mm		
<b>04N</b>	1/2" NPT (F)		<b>12. OTHER OPTIONS</b>		<b>XX</b>	
<b>02B</b>	1/4" BSP (F)		<b>XZ</b>	Dry seal		
<b>04B</b>	1/2" BSP (F)		<b>HL</b>	Helium leak test		
<b>02N</b>	1/4" NPT (F)		<b>TM</b>	Material test certificate 2.2		
<b>6. SEALING FLUID</b>		<b>OG</b>	<b>TC</b>	Material test certificate 3.1		
<b>OF</b>	Food grade oil [-20°C to 140°C]					
<b>OG</b>	Glycerine [10°C to 150°C]					

**Ordering Example : D303-S37-T40-LF-DG-04N-OG-T15-B8**

## CONNECTION SIZE Vs RANGE CHART

		25	32	40	50	80
<b>DIN</b>	Size					
	"Diaphragm Size (OD/ED) in "mm"	35/25	38/32	48/40	59/52	80/72
	Range (bar)	0...4 to 0...40	0...2 to 0...40	0...1 to 0...40	0...1 to 0...40	-1...0 to 0...40
<b>SMS</b>	Size	1"	1 1/2"	2"		
	"Diaphragm Size (OD/ED) in "mm"	30/23	45/36	58/51		
	Range (bar)	0...4 to 0...40	0...2 to 0...40	0...1 to 0...40		

**NOTES:**

1. All metal diaphragms are laser welded to the Top Chamber.