

FEATURES

- Compact design
- Stainless steel case
- Zero adjustment on dial
- Low pressure application (<0.6 mbar)

APPLICATION

- Food & Beverages
- Clean- air applications

Capsule Type



STANDARD PARAMETERS

Accuracy	:	CL 1.6
Ambient temperature	:	-40...+65°C
Service temperature	:	100°C max.
Pressure limits	:	Steady pressure up to 75% of FS value, No over-pressure
Weld joints	:	Silver alloy brazing

MATERIAL OF CONSTRUCTION

Sensing element	:	Welded capsule
Case & Ring material	:	AISI 304 SS (Bayonet type)
Capsule	:	Cu- alloy
Shank	:	Cu- alloy
Movement mechanism	:	Cu- alloy
Dial	:	Aluminum, black graduation on white background with pointer adjustment on dial
Pointer	:	Fixed, aluminum, black powder coated
Gaskets, Blow off disc & filling plug	:	Neoprene
Window	:	Sheet glass

STANDARD SPECIFICATIONS

Dial size	:	DN63 / DN100 / DN125 / DN150
Range	:	-600...25...600 mbar
Mounting pattern	:	Direct, Bottom connection
Process connection	:	½" NPT (M)
Ingress protection	:	IP 54
Execution	:	Dry

TEMPERATURE EFFECT

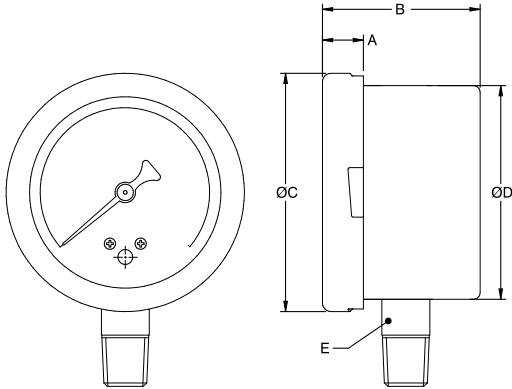
When temperature of the measuring system deviates from reference temperature (+20°C) max error $\pm 0.4\%$ / 10K of true scale value.

REFERENCE

EN 837-3

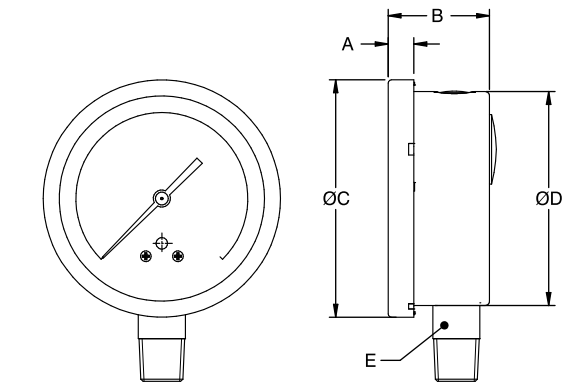
DIMENSIONAL DRAWING

Type B0



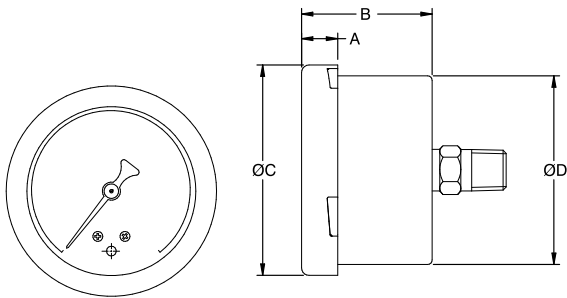
DN	A	B	ØC	ØD	E	Weight (grams)
63	12	43	70	62.5	SQ.14	230

Type B0



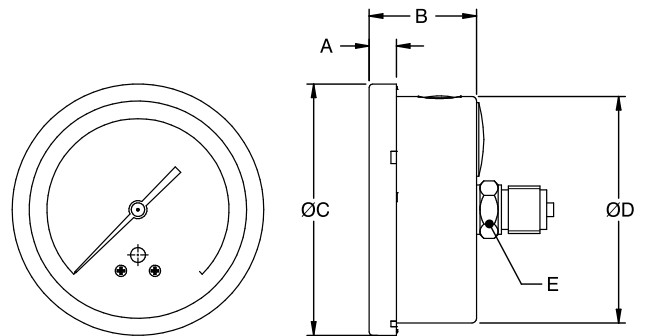
DN	A	B	ØC	ØD	E	Weight (grams)
100	12	48	111	100	SQ.22	523
125	15	48	129	118.5	SQ.22	714
150	15	48	161	149	SQ.22	932

Type R0



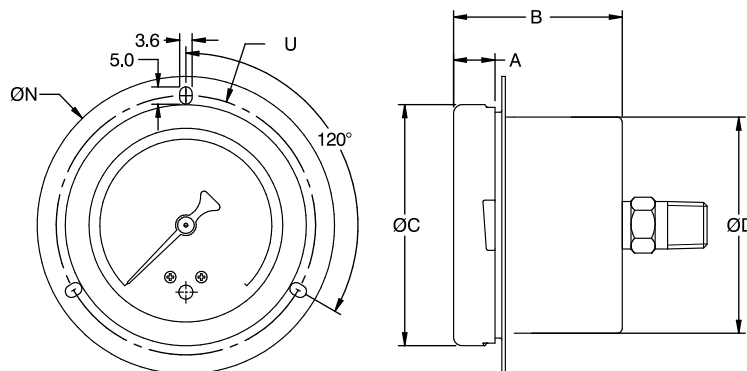
DN	A	B	ØC	ØD	Weight (grams)
63	12	43	69.7	62.5	230

Type R0



DN	A	B	ØC	ØD	E	Weight (grams)
100	12	48	111	100	SQ.22	526
125	15	48	129	118.5	SQ.22	714
150	15	48	161	149	SQ.22	920

Type R2



DN	A	B	ØC	ØD	ØN	ØU	Weight (grams)
63	12	43	69.7	62.5	86	75	240

All dimensions are in mm.

ORDERING CODES

1. DIAL SIZE

25	63 mm / 2½"
04	100 mm / 4"
06	150 mm / 6"

04

2. RANGE

XXX	Refer "Range Table"
------------	---------------------

XXX

3. MOUNTING PATTERN

B0	Direct, Bottom connection
R0	Centre, Back connection
R2	Panel/Front flange mounting, Centre back connection

B0

4. PROCESS CONNECTION

12B	¼" BSP (M)
12N	¼" NPT (M)
13B	3/8" BSP (M)
14B	½" BSP (M)
14M	M20 X 1.5 mm (M)
14N	½" NPT (M)

14N

5. INGRESS PROTECTION

EV	IP 54
-----------	-------

EV

6. EXECUTION

EA	Dry
-----------	-----

EA

7. OTHER OPTIONS

BA	Case & Ring in AISI 316 SS (B0)
BB	Case & Ring in AISI 316 SS (B1)
BD	Case & Ring in AISI 316 SS (B3)
BG	Case & Ring in AISI 316 SS (R0)
BI	Case & Ring in AISI 316 SS (R2)
BK	Case & Ring in AISI 316 SS (L0)
BL	Case & Ring in AISI 316 SS (L1)
BM	Case & Ring in AISI 316 SS (L2)
EO	Dampening screw, Brass
G8	Painted steel case
GB	Plexi glass
GC	Shatterproof safety glass
RW	Vent plug, ON-OFF type
TA	5 - point calibration certificate
TC	Material test certificate 3.1
TE	CE certificate
TM	Material test certificate 2.2
TO	Certification for Oxygen service
XF	SS tag plate, AISI 304 SS
XG	SS tag plate, AISI 316 SS
XR	Custom designed dial
XT	Dial tag marking

XX

Ordering Example : P603-04-XXX-B0-14N-EV-EA

NOTES

1. For other connections, please contact factory.
2. Rubber parts shall be in Viton.
3. Case & Ring in AISI 316 SS from DN100 onwards.
4. Option 'G8' to be selected together with option 'GB'.
5. DN63 available in mounting pattern B0 and R0 only.
6. DN63 available with ¼" connections. Other connections through adaptors.