

FEATURES

- All SS measuring system
- Socket-case, direct welded
- Threaded / Flanged connection
- Over-pressure safety up to 10 times FS max. 40 bar

APPLICATION

- Liquid & gaseous media
- Corrosive environments
- Oil & Gas applications
- Chemical & Petrochemical
- Machine building
- General plant construction

Diaphragm
(Old model code : P400 & P400CE)



STANDARD PARAMETERS

Accuracy	:	CL 1.6
Ambient temperature	:	-20...+60°C / -40...+60°C with silicon oil dampening
Service temperature	:	150°C max.
Pressure limits	:	Over pressure up to 1.3 FS value Steady pressure up to FS value Fluctuating pressure up to 90% of FS value
Weld joint	:	TIG argon arc welding

MATERIAL OF CONSTRUCTION

Sensing element	:	Diaphragm
Case & Ring material	:	AISI 304 SS (Bayonet type)
Diaphragm	:	≤ 16 bar - AISI 316L SS, > 16 bar Inconel 718
Chamber	:	AISI 316 SS (lower and upper diaphragm housing)
Shank	:	AISI 316L SS
Movement mechanism	:	AISI 304 SS
Chamber sealing gaskets	:	FPM / FKM
Dial	:	Aluminum, black graduation on white background
Pointer	:	Micro-adjustable, aluminum, black powder coated
Gaskets, Blow off disc & filling plug	:	NBR
Window	:	Shatterproof safety glass

STANDARD SPECIFICATIONS

Dial size	:	DN100 / DN160
Range	:	0...10 to 0...16 mbar (flange Ø 174 mm) 0... 25 to 0...250 mbar (flange Ø 150 mm) 0...0.4 to 0...40 bar (flange Ø 100 mm)
Mounting pattern	:	Direct, Bottom connection
Process connection	:	1/2" NPT (M) / 1/2" BSP (M)
Ingress protection	:	IP 65 - EN 60529 / IEC 529
Execution	:	Dry

STANDARD SPECIFICATIONS : DAMPENING LIQUID FILLED, GLYCERIN

Window	:	Shatterproof safety glass
Dampening liquid	:	Glycerin [Service temperature up to 65°C]

TEMPERATURE EFFECT

When temperature of the measuring system deviates from reference temperature (+20°C) max error ±0.8% / 10K of true scale value.

REFERENCE

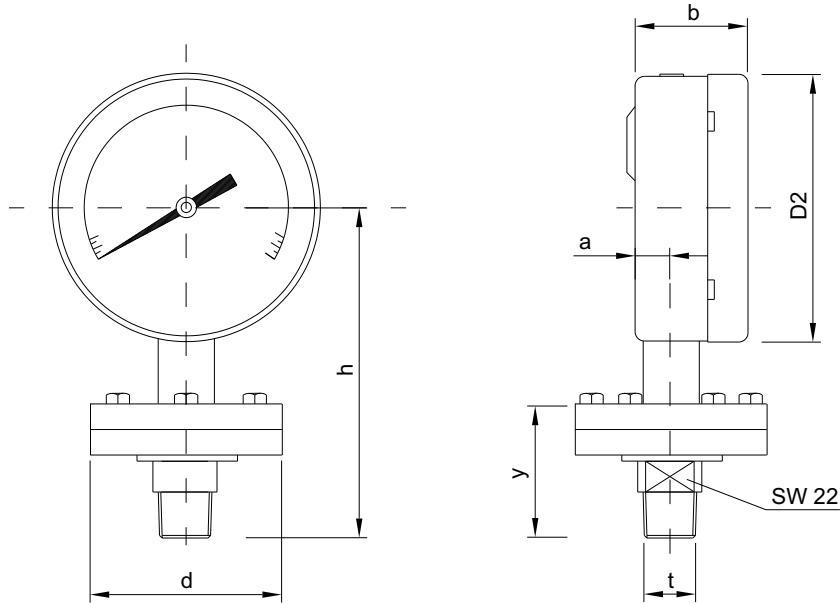


EN 837-3

II 2 GD c

DIMENSIONAL DRAWING

Type B0



All dimensions are in mm.

Range	DN	d	a	b	D2	t	h±2	y	Weight (Kg)
mbar	100		17	52	100	½" BSP or ½" NPT	130	50	2.6
0/10 to 0/16	160	174	17	52	150	½" BSP or ½" NPT	150	50	3.2
mbar	100		17	52	100	½" BSP or ½" NPT	130	55	2.6
0/25 to 0/250	160	150	17	52	150	½" BSP or ½" NPT	155	55	3.2
bar	100		17	52	100	½" BSP or ½" NPT	130	55	1.8
0/0.4 to 0/40	160	98	17	52	150	½" BSP or ½" NPT	155	55	2.2

ELECTRIC CONTACT DETAILS				
Switch type	Contacts	Action	Rating	Code
Normally closed (1NC)	Single	Break contact	230VAC/1A; 48VDC/0.5A	CD1
Normally open (1NO)	Single	Make contact	230VAC/1A; 48VDC/0.5A	CD2
Normally closed (2NC)	Double	Break contact	230VAC/1A; 48VDC/0.5A	CD3
Normally open (2NO)	Double	Make contact	230VAC/1A; 48VDC/0.5A	CD4
Normally closed + Normally open (1NC+1NO)	Double	Break contact + Make contact	230VAC/1A; 48VDC/0.5A	CD5
Normally open + Normally closed (1NO+1NC)	Double	Make contact + Brake contact	230VAC/1A; 48VDC/0.5A	CD6
SPDT	Single		230VAC/1A; 48VDC/0.5A	CD7
DPDT	Double		230VAC/1A; 48VDC/0.5A	CD8
Normally closed (1NC)	Single	Break contact	220VAC/0.4A	CI1
Normally open (1NO)	Single	Make contact	220VAC/0.4A	CI2
Normally closed (2NC)	Double	Break contact	220VAC/0.4A	CI3
Normally open (2NO)	Double	Make contact	220VAC/0.4A	CI4
Normally closed + Normally open (1NC+1NO)	Double	Break contact + Make contact	220VAC/0.4A	CI5
Normally open + Normally closed (1NO+1NC)	Double	Make contact + Brake contact	220VAC/0.4A	CI6

NOTES

- Codes starts with "CD" denomination are magnetic contacts and "CI" are Inductive contacts.
- Inductive contacts are ATEX approved.

ORDERING CODES

1. DIAL SIZE

- 04** 100 mm / 4"
- 06** 160 mm / 6"

04

2. RANGE

- XXX** Refer "Range Table"

XXX

3. MOUNTING PATTERN

- B0** Direct, Bottom connection

B0

4. PROCESS CONNECTION

- 12B** 1/4" BSP (M) **12N** 1/4" NPT (M)
- 13B** 3/8" BSP (M) **14B** 1/2" BSP (M)
- 14M** M20 X 1.5 mm (M) **14N** 1/2" NPT (M)
- A25** 1 1/2" RF 150# as per ANSI B 16.5
- A26** 1 1/2" RF 300# as per ANSI B 16.5
- A31** 2" RF 150# as per ANSI B 16.5
- A32** 2" RF 300# as per ANSI B 16.5
- D42** DN40 PN10 as per EN 1092 - 1
- D44** DN40 PN25 as per EN 1092 - 1
- D52** DN50 PN10 as per EN 1092 - 1
- D54** DN50 PN25 as per EN 1092 - 1

14N

* Other flange sizes available on request.

5. INGRESS PROTECTION

- ER** IP 65

ER

6. EXECUTION

- EA** Dry
- EG** Dampening liquid filled, glycerine
- EH** Dampening liquid filled, silicon oil²

EA

7. SWITCH CATEGORY

- RS** Precision contacts (magnetic)
- RT** ATEX / CE approved contacts (inductive)

XX

8. ELECTRIC CONTACT

- CD1** Break contact (1NC)
- CD2** Make contact (1NO)
- CD3** 2 x Break contact (2NC)
- CD4** 2 x Make contact (2NO)
- CD5** 1 Break + 1 Make (1NC+1NO)
- CD6** 1 Make + 1 Break (1NO+1NC)
- CD7** SPDT
- CD8** DPDT
- CI1** Break contact (1NC)
- CI2** Make contact (1NO)
- CI3** 2 x Break contact (2NC)
- CI4** 2 x Make contact (2NO)
- CI5** 1 Break + 1 Make (1NC+1NO)
- CI6** 1 Make + 1 Break (1NO+1NC)
- CI9** Booster relay for current up to 5A

XXX

7. OTHER OPTIONS

- BA** Case & Ring in AISI 316 SS (B0)
- EY** Vacuum safe up to -1 bar
- OQ** Over-pressure up to 5 times of FS⁴
- OR** Over-pressure up to 10 times of FS⁴
- PC** PTFE lining / coating on wetted parts
- PK** Hastelloy wetted parts
- PM** Monel wetted parts
- TA** 5 - point calibration certificate
- TC** Material test certificate 3.1
- TM** Material test certificate 2.2
- TO** Certification for Oxygen service
- TX** ATEX certificate
- XB** Accuracy CL 1.0
- XF** SS tag plate
- XH** Flushing plug on lower body
- XR** Custom designed dial
- XT** Dial tag marking

XX

Ordering Example : P604-04-XXX-B0-14N-ER-EA-XX-XXX-XX

NOTES

1. For other connections, please contact factory.
2. Rubber parts shall be in Viton.
3. For electrical contact details, refer model P501.
4. Maximum pressure shall be 40 bar.