

## FEATURES

- Laser welded diaphragm
- Optional electric contacts
- Optional transmitter output
- Filled version

## APPLICATION

- Dairy, Ice cream industries
- Pharmaceutical industries
- Sterilization applications

### Diaphragm Seal Type



### STANDARD PARAMETERS

Accuracy	: CL 1.6
Ambient temperature	: -40...+65°C (without dampening liquid)
	: -20...+65°C (with dampening liquid)
Service temperature	: 10...150°C max.
Pressure limits	: Steady pressure up to FS value
Weld joints	: TIG argon arc welding

### MATERIAL OF CONSTRUCTION

Sensing element	: Diaphragm
Case & Ring material	: AISI 304 SS (Bayonet type)
Diaphragm, Bourdon tube & Shank	: AISI 316L SS (Shank welded directly to case)
Movement mechanism	: AISI 304 SS
Dial	: Aluminum, black graduation on white background
Pointer	: Micro-zero adjustable, aluminum, black powder coated
Gaskets & filling plug	: Silicon Rubber gasket & Neoprene filling plug
Window	: Plexi glass

### STANDARD SPECIFICATIONS

Dial size	: DN100
Range	: 0...160 bar [B21], 0...250 bar [B24], 0...400 bar [B27], 0...600 bar [B29]
Mounting pattern	: Direct, Bottom connection
Process connection	: With mounting flange
Seal filling fluid	: Food grade oil
Ingress protection	: IP 65
Execution	: Dampening liquid filled, glycerine

### STANDARD SPECIFICATIONS : DAMPENING LIQUID FILLED, GLYCERIN

Window	: Acrylic glass dome
Switch type	: Normally open; Make contact (1NO)
Execution	: Dampening liquid filled, dielectric oil

### TEMPERATURE EFFECT

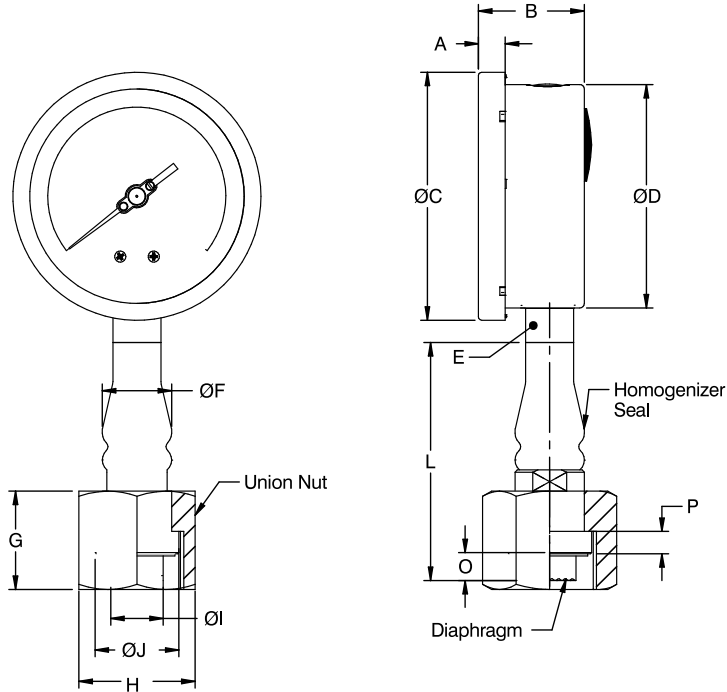
When temperature of the measuring system deviates from reference temperature (+20°C) max error  $\pm 0.4\%$  / 10K of true scale value.

## REFERENCE

EN 837-1

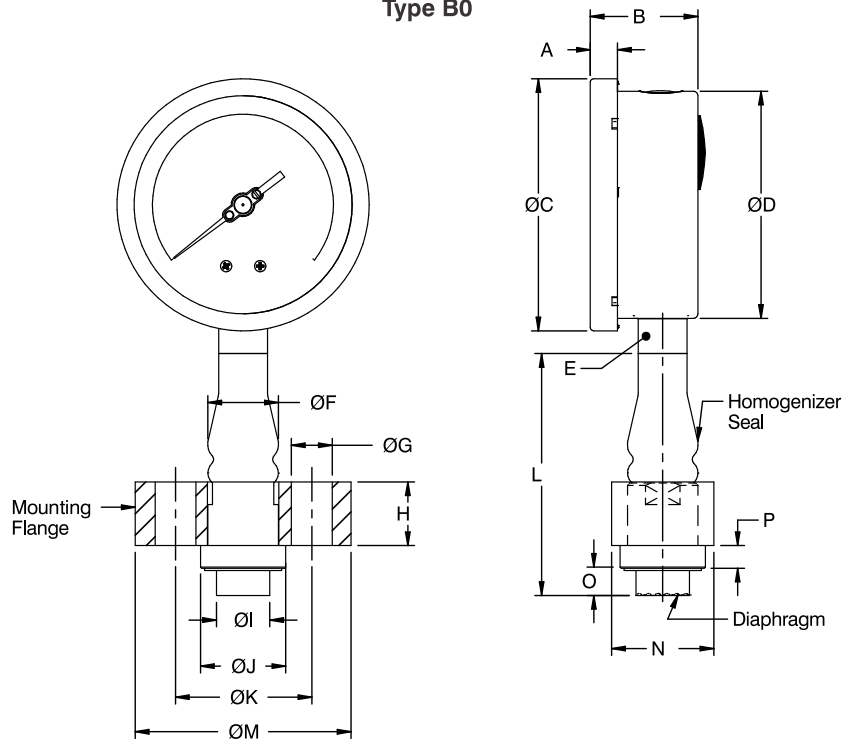
DIMENSIONAL DRAWING

Type B0



DN	A	B	ØC	ØD	E	F	G	H	I	J	L	O	P	Weight (grams)
100	12	48	111	100	SQ.22	31	44	A/F 50	23.5	37.5	106.5	11	11	1761

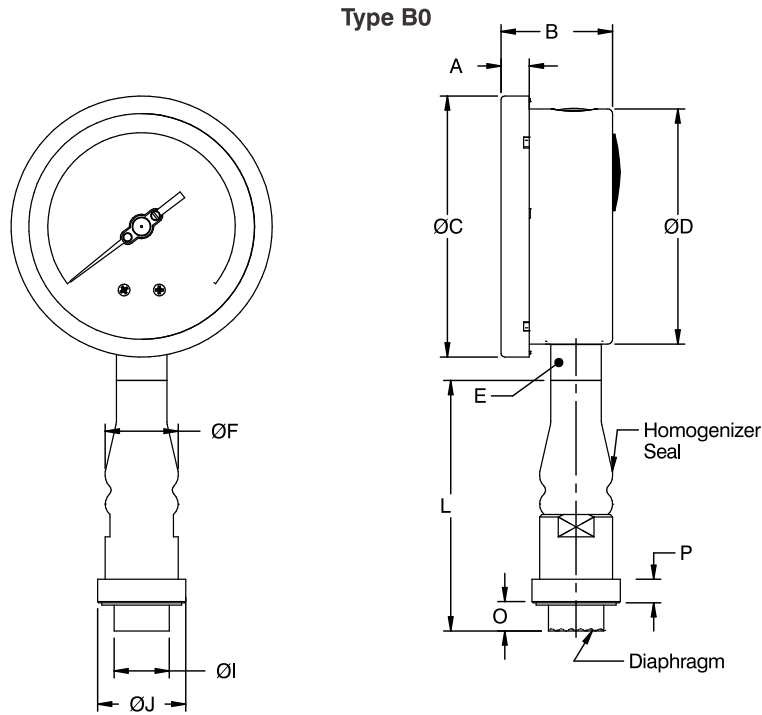
Type B0



DN	A	B	ØC	ØD	E	ØF	G	H	I	J	K	L	M	N	O	P	Weight (grams)
100	12	48	111	100	SQ.22	31	18	28	23.5	37.5	60	106.5	95	45	11	11	1688

All dimensions are in mm.

DIMENSIONAL DRAWING



DN	A	B	ØC	ØD	E	F	I	J	L	O	P	Weight (grams)
100	12	48	111	100	SQ.22	31	23.5	37.5	106.5	11	11	1295

All dimensions are in mm.

ORDERING CODES

1. DIAL SIZE

04 100 mm / 4"

04

2. RANGE

XXX Refer "Range Table"

XXX

3. MOUNTING PATTERN

B0 Direct, Bottom connection

B0

4. PROCESS CONNECTION

- T96 With mounting flange
- T97 Without mounting flange
- 09B 1 1/4" BSP (F) Union Nut

T96

5. INGRESS PROTECTION

- ER IP 65
- ES IP 66
- ET IP 67

ER

6. EXECUTION

- EB Dry but fillable, glycerine
- EG Dampening liquid filled, glycerine
- EK Dampening liquid filled, dielectric oil<sup>2</sup>

EB

7. OTHER OPTIONS

- TA 5 - point calibration certificate
- XR Custom designed dial
- XT Dial tag marking
- TC Material test certificate 3.1
- TM Material test certificate 2.2
- XG SS tag plate, AISI 316 SS
- XF SS tag plate, AISI 304 SS
- GW Maximum reading pointer
- RA Rubber parts, Viton
- RN Rubber parts, NBR

XX

Ordering Example : P702-04-XXX-B0-T96-ER-EB

NOTES

1. For other connections, please contact factory.
2. Rubber parts shall be in Viton.