

FEATURES

- Precision measuring system
- High resolution dial
- Anti-parallax mirror band
- Jewel bearing movement
- Easy to read scale

APPLICATION

- Calibration & testing labs
- Calibration & testing of industrial pressure gauges

REFERENCE

SS Case Type



STANDARD PARAMETERS

Accuracy	:	CL 0.5 CL 0.6 CL 0.025
Ambient temperature	:	20...+65°C
Service temperature	:	65°C max.
Pressure limits	:	Steady pressure up to 75% of FS value
Weld joints	:	Silver alloy brazing

MATERIAL OF CONSTRUCTION

Sensing element	:	Bourdon Tube (<100 bar : C - type , >100 bar : Helical)
Case & Ring material	:	AISI 304 SS (Bayonet type)
Bourdon tube	:	Beryllium Copper
Shank	:	AISI 316L SS
Integral dampening screw	:	AISI 316 SS
Movement mechanism	:	High precision (Jewel bearing type)
Dial	:	Aluminum, green with black marking & anti-parallax mirror band
Pointer	:	Balanced, knife-edge micrometer adjustable
Pointer stopper	:	Spring type
Gaskets & Blow off disc	:	Neoprene
Window	:	Safety glass

STANDARD SPECIFICATIONS

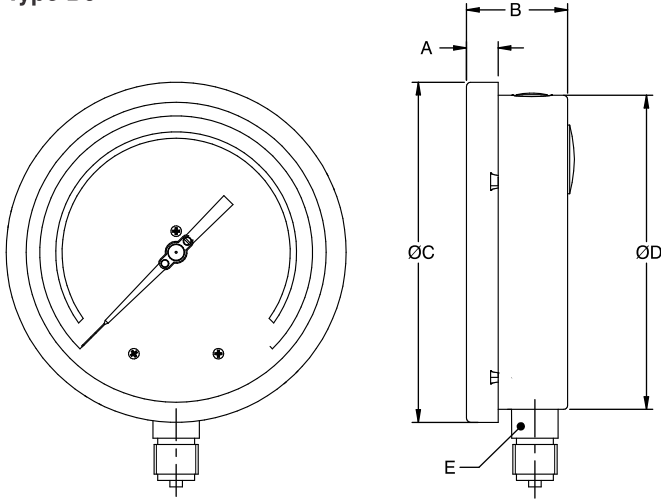
Dial size	:	DN 150 / DN250
Range	:	-1...700 bar
Mounting pattern	:	Direct, Bottom connection
Process connection	:	½" NPT (M)
Ingress protection	:	IP 65
Execution	:	Dry
Carrying case	:	Pine wood carrying case
Calibration certificate	:	Calibration certificate traceable up to National & International standards

TEMPERATURE EFFECT

When temperature of the measuring system deviates from reference temperature (+20°C) max error $\pm 0.4\%$ / 10K of true scale value.

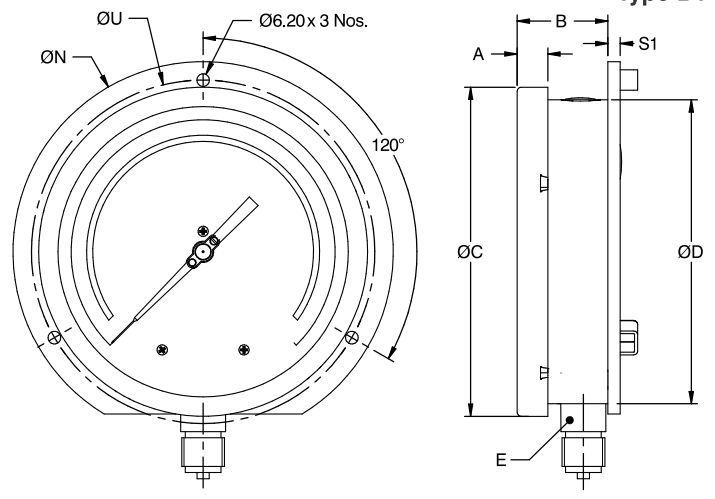
DIMENSIONAL DRAWING

Type B0



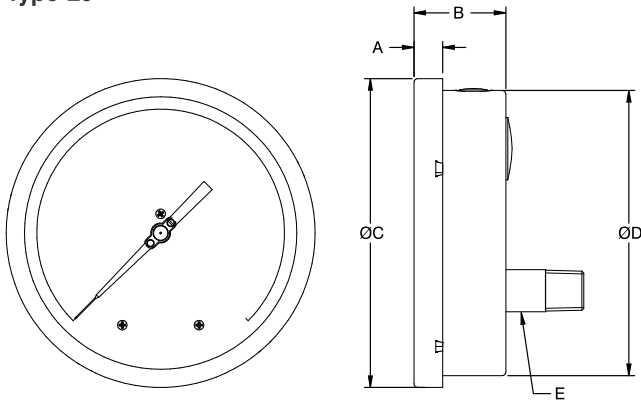
DN	A	B	ØC	ØD	E	Weight (grams)
150	15	48	161	149	SQ.22	950
250	18.5	50	263	250	SQ.22	2150

Type B1



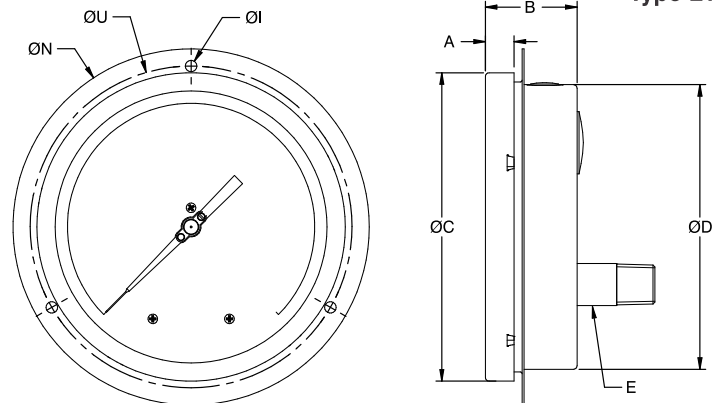
DN	A	B	ØC	ØD	E	ØI	M	ØN	S1	ØU	Weight (grams)
150	15	46	161	149	SQ.22	6	172.4	186	6	168	1065
250	18.5	48	263	250	SQ.22	7	286.5	290	1.5	276	2375

Type L0



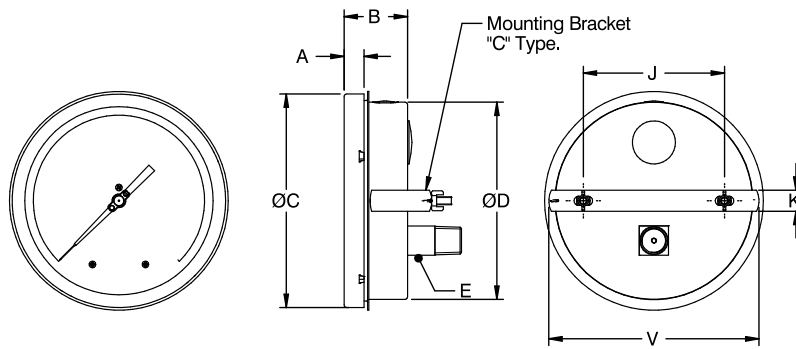
DN	A	B	ØC	ØD	E	Weight (grams)
150	15	48	161	149	SQ.22	950
250	18.5	50	263	250	SQ.22	2150

Type L1



DN	A	B	ØC	ØD	E	ØI	ØN	ØU	Weight (grams)
150	15	48	161	149	SQ.22	6	186	168	1066
250	18.5	50	263	250	SQ.22	7	290	276	2350

Type L2



DN	A	B	ØC	ØD	E	J	K	V	Weight (grams)
150	15	48	161	149	SQ.22	106.5	16	158.5	1150
250	18.5	50	263	250	SQ.22	180	30	270	2450

All dimensions are in mm.

ORDERING CODES

1. DIAL SIZE		06	5. INGRESS PROTECTION		ER
06	150 mm / 6"		ER	IP 65	
10	250 mm / 10"				
2. RANGE		XXX	6. EXECUTION		EA
XXX	Refer "Range Table"		EA	Dry	
3. MOUNTING PATTERN		B0	7. OTHER OPTIONS		XX
B0	Direct, Bottom connection		XR	Custom designed dial	
B1	Wall/Surface/Projection mounting, Bottom connection		XT	Dial tag marking	
L0	Lower, Back connection		XF	SS tag plate, AISI 304 SS	
L1	Panel/Front flange mounting, Lower Back connection				
L2	Panel/bracket mounting, Lower Back connection				
4. PROCESS CONNECTION		14N	8. ACCESSORIES		
14N	1/2" NPT (M)		A202	Gauge saver	
14B	1/2" BSP (M)		A201	Gauge snubber	
14M	M20 X 1.5 mm (M)				

Ordering Example : P801-06-XXX-B0-14N-ER-EB

NOTES

1. For other connections, please contact factory.