

FEATURES

- Compact & Economical
- Field adjustable set point
- Scale provided
- Auto Reset

APPLICATION

- Compressors
- Textile machines
- Chillers & Air dryers
- Fire fighting systems
- Water treatment plants
- Refrigeration applications

General Purpose



STANDARD SPECIFICATIONS

Repeatability	:	2% F.S
Scale Accuracy	:	3 % F.S
Measurement unit	:	bar / psi
Range	:	Refer "Range Table"
Differential	:	Adjustable, external
Mounting	:	Bottom / Panel
Enclosure Material	:	Steel (plated) with Plastic cover
Sensing Elements	:	Phosphor Bronze Bellow
Switch	:	1 SPDT
Switch Rating	:	15A,220 VAC / 10A,24 VDC
Process Connection	:	¼" BSP (F)
Maximum Process Temperature	:	100 °C
Ambient Temperature	:	-10...60 °C
Mounting Accessories	:	Mounting bracket with Screws
Set point	:	External, field adjustable

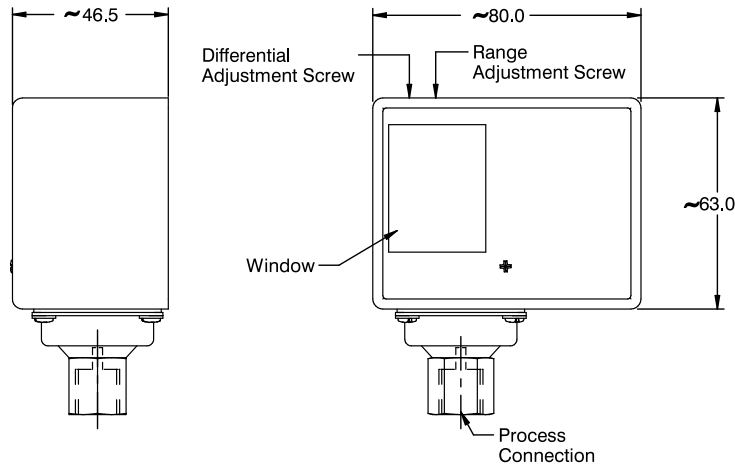
RANGE TABLE

CODE	Range "bar"	Differential "bar"
N47	-0.5...3	0.25...1.5
N07	-0.5...6	0.6...3
N09	0...10	1...3
N11	3...16	1...4
N12	5...20	2...5
N14	5...30	5...12

APPROVALS



DIMENSIONAL DRAWING



All dimensions are in mm

ORDERING CODES

1. RANGE

Refer "Range Table"

N09

2. CONNECTION

- 02B** 1/4" BSP (F)
- 12B** 1/4" BSP (M)
- 13B** 3/8" BSP (M)
- 14B** 1/2" BSP (M)
- 12N** 1/4" NPT (M)
- 13N** 3/8" NPT (M)
- 14N** 1/2" NPT (M)

02B

3. OTHER OPTIONS

- TB** Calibration Certificate
- XF** AISI 304 SS tag plate

XX

Ordering Example : S101-N09-02B

NOTES:

1. Other connections are available through adaptors.
2. The cover color shall be Blue or White depending upon availability.