

FEATURES

- Field adjustable set point
- Adjustable differential
- Weatherproof to IP67
- Scale provided

APPLICATION

- Textile machines
- Railways & Turbines
- Fire fighting systems
- Lubrication industries
- Water treatment plants
- Compressors & Boilers

Adjustable Differential



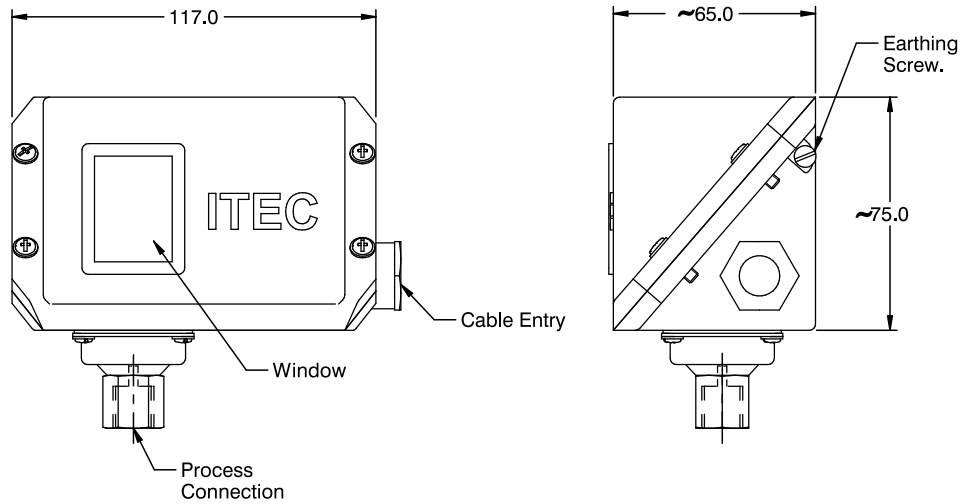
STANDARD SPECIFICATIONS

Repeatability	:	2% F.S
Scale accuracy	:	3% F.S
Measurement unit	:	bar / psi
Range	:	Refer "Range Table"
Differential	:	Adjustable, internal
Mounting	:	Bottom/ Panel
Enclosure material	:	Aluminum pressure die cast
Sensing elements	:	Phosphor Bronze / SS Bellow
Switch	:	1 SPDT
Switch rating	:	15A,220 VAC / 10A,24 VDC
Process connection	:	1/4"BSP(F)
Maximum process temperature	:	100 °C
Ambient temperature	:	-10...60 °C
Cable entry	:	3/4" ET (F)
Set point	:	Internal, field adjustable

RANGE TABLE

CODE	Range "bar"	Differential "bar"
N47	-0.5...3	0.25...1.5
N07	-0.5...6	0.6...3
N09	0...10	1...3
N11	3...16	1...4
N12	5...20	2...5
N14	5...30	5...12

DIMENSIONAL DRAWING



All dimensions are in mm

ORDERING CODES

1. RANGE

Refer "Range Table"

N09

2. CONNECTION

- 02B 1/4" BSP (F)
- 12B 1/4" BSP (M)
- 13B 3/8" BSP (M)
- 14B 1/2" BSP (M)
- 12N 1/4" NPT (M)
- 13N 3/8" NPT (M)
- 14N 1/2" NPT (M)

02B

3. OTHER OPTIONS

- TB Calibration Certificate
- XF AISI 304 SS tag plate
- XV Wall mounting bracket
- XW SS bellow systems

XX

Ordering Example : S102-N09-02B

NOTES:

- 1. Other connections are available through adaptors.